

- Configuration flexibility**
- Excellent value**
- Low weight**
- No tools required for assembly**



**Technical features**

**Medium:**  
Compressed air

**Operating pressure:**  
12 bar max. (Manual drain)  
10 bar max. (Automatic drain)

**Element:**  
5 µm

**Fluid/Ambient temperature:**  
-20°C ... +52°C

Air supply must be dry enough to avoid ice formation at temperatures below +2°C.

**Drain:**

Automatic drain operating conditions (float operated):  
 Bowl pressure required to close drain: > 0,35 bar  
 Bowl pressure required to open drain: ≤ 0,2 bar  
 Minimum air flow required to close drain: 0,1 m³/s (6 l/min)  
 Manual operation: depress pin inside drain outlet to drain bowl

**Materials**

Body: PBT  
 Bonnet: PBT  
 Valve elastomer: Geolast  
 Diaphragm: Nitrile  
 Transparent bowl: Polycarbonate  
 Element: Sintered polypropylene  
 Gauge: Brass body, plastic face  
 Elastomers:  
 Bowl O-ring - Neoprene  
 All others - Nitrile

**Technical data, standard model , shut off valve, filter/regulator with exhaust port and lubricator**

Symbol	Port size	Connector	Pressure range (bar)	Element (µm)	Drain	Weight (kg)	Model
	ø 8 mm	With mounting bracket	0,3 ... 10	5	Manual	0,52	BL92-F31D
	G 1/4	With mounting bracket	0,3 ... 10	5	Manual	0,53	BL92-2316
	ø 8 mm	With mounting bracket	0,3 ... 10	5	Automatic	0,53	BL92-F11D
	G 1/4	With mounting bracket	0,3 ... 10	5	Automatic	0,54	BL92-2116

**Technical data, standard model , filter/regulator with exhaust port and lubricator**








Symbol	Port size	Connector	Pressure range (bar)	Element (µm)	Drain	Weight (kg)	Model
	ø 8 mm	With mounting bracket	0,3 ... 10	5	Manual	0,42	BL92-F35D
	G 1/4	With mounting bracket	0,3 ... 10	5	Manual	0,43	BL92-235G
	ø 8 mm	With mounting bracket	0,3 ... 10	5	Automatic	0,43	BL92-F15D
	G 1/4	With mounting bracket	0,3 ... 10	5	Automatic	0,44	BL92-215G

**Options selector**
**BL92-★★★★**

Port size	Substitute
ø 8 mm	F
G 1/4	2
Drain	Substitute
Manual	3
Automatic	1

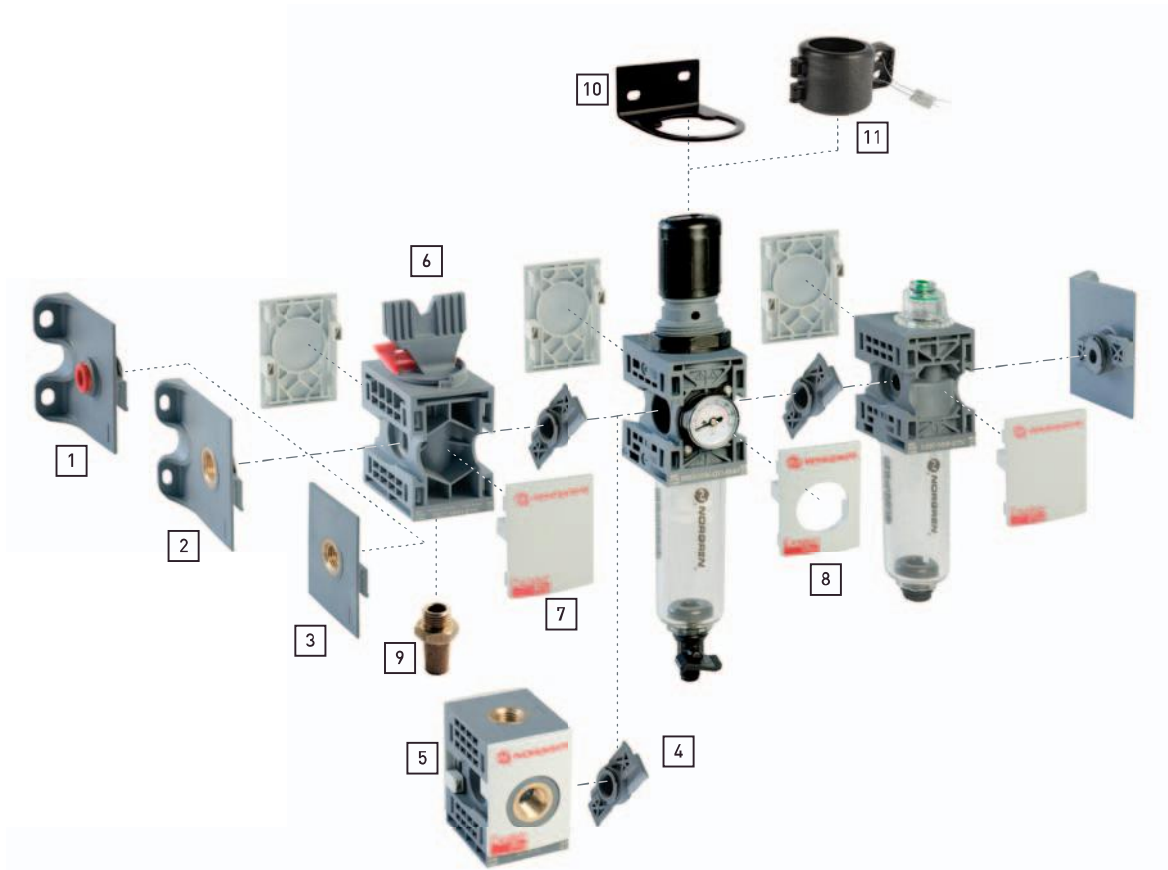
Thread form (in combination with port size only)	Substitute
Push-In connection	D
Thread	G
Shut-off valve	Substitute
with	1
without	5

**Service kit**

Service kit filter regulator	Service kit lubricator	Automatic drain	Gauge set bar/psi	Automatic drain bowl set	Manual drain bowl set	Closed bowl bowl set
						
B926-KITR	L92C-KIT	4000-50R	9273KIT-01 *2)	9225KIT-51	9225KIT-50	9225KIT-52

\*2) Part number = five gauges, O-ring and screwdriver

## Component parts and accessories



Push-in fitting connector with mounting bracket		Threaded connector with mounting bracket		Threaded connector without mounting bracket									
Port size	1	2	3										
G1/8	-	9212KIT-1G	-										
G1/4	-	9212KIT-2G	9211KIT-2V										
G3/8	-	9212KIT-3G	-										
ø 6 mm	9213KIT-6D	-	-										
ø 8 mm	9213KIT-8D	-	-										
ø 10 mm	9213KIT-AD	-	-										
ø 12 mm	9213KIT-BD	-	-										

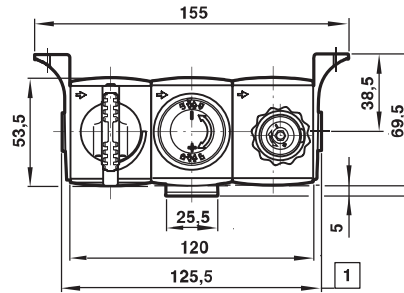
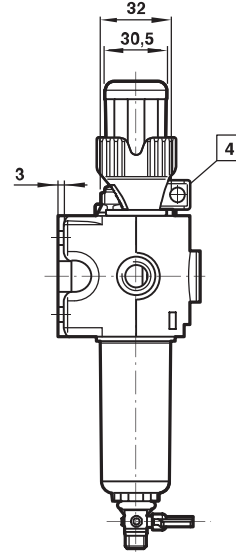
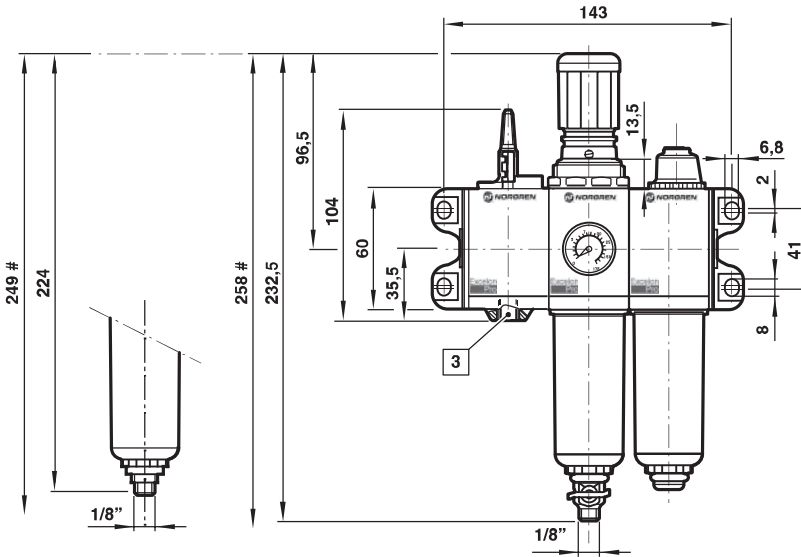
Wall mounting	Quick connector	Porting block Plugs not included	Lockout/shut-off valve with exhaust port	Locking plate	Locking plate for gauge side only	Silencer for shut-off valve	Tamper resistant cover and seal wire
10	4	5	6	7	8	9	11
74316-02	9210-50	9216-51	T92T-NNN-B1N	9236-88/X10 *1)	9236-89/X10 *1)	T40M0500	9255-51

\*1) 10 pieces


**Warning**

 Locking plates **MUST** be in place before pressurizing any Excelon Pro unit.

**Shut-off valve, filter/regulator & lubricator**



# Minimum clearance required to remove bowl

**1 Connector Dimensions**

1/8" and 1/4" threaded connectors shown. See below for port-to-port dimensions for additional connectors.

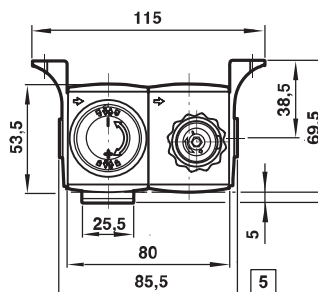
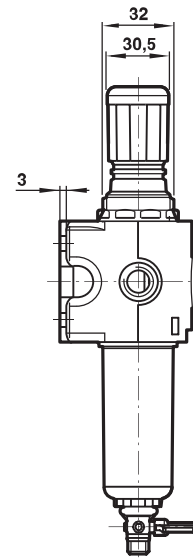
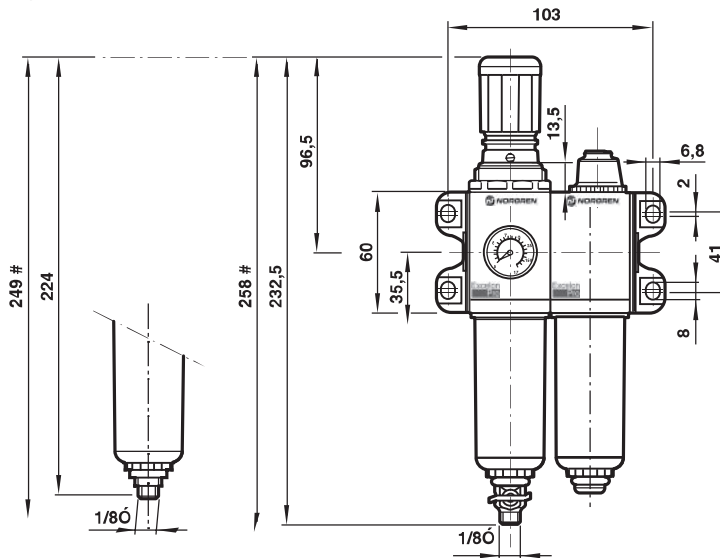
PIF - connector	Port-to-port
8 mm	145,5
Threaded connector	
G1/4	125,5

3 M5 exhaust port

4 Lever lockable only in closed position.

Lock slide accepts  $\varnothing$  7 mm padlock/shackle.

**Filter/regulator & lubricator**

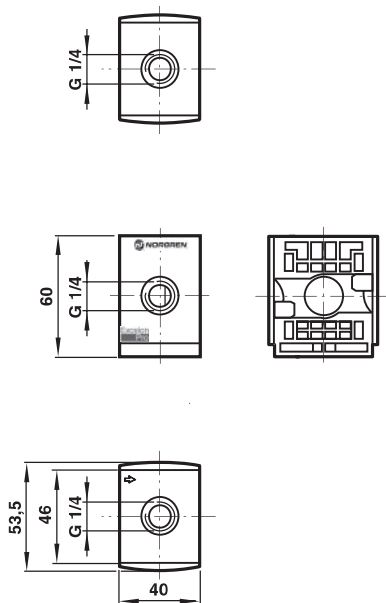
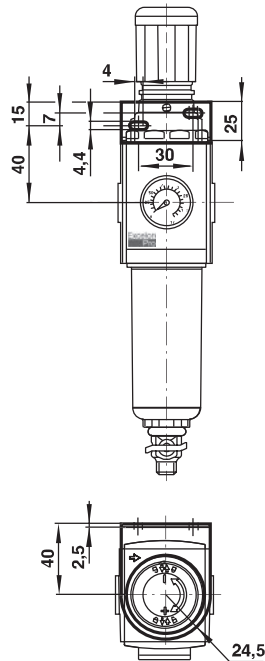
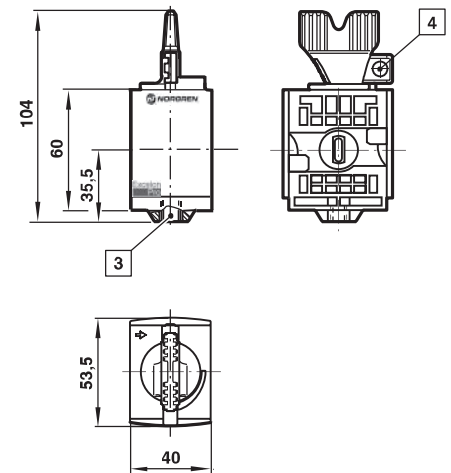


# Minimum clearance required to remove bowl

**1 Connector Dimensions**

1/8" and 1/4" threaded connectors shown. See below for port-to-port dimensions for additional connectors.

PIF Connector	Port-to-port
8 mm	105,5
Threaded connector	
G1/4	85,5

**Porting block**

**Wall mounting**

**Lockable/shut off valve**


- 3 M5 exhaust port
- 4 Lever lockable only in closed position.  
Lock slide accepts  $\varnothing$  7 mm padlock/shackle.

**Warning**

These products are intended for use in industrial compressed air systems only. Do not use these products where pressures and temperatures can exceed those listed under »**Technical features**«.

Before using these products with fluids other than those specified, for non-industrial applications, life-support systems, or other applications not within published specifications, consult NORGREN.

Through misuse, age, or malfunction, components used in fluid power systems can fail in various modes.

The system designer is warned to consider the failure modes of all component parts used in pneumatic systems and to provide adequate safeguards to prevent personal injury or damage to equipment in the event of such failure.

System designers must provide a warning to end users in the system instructional manual if protection against a failure mode cannot be adequately provided.

System designers and end users are cautioned to review specific warnings found in instruction sheets packed and shipped with these products.