

OLYMPIAN PLUS PLUG-IN SYSTEM

Boxed sets and combination units - Filter/regulators and lubricators

BL64, BL68, FL64 - G1/4, G1/2



BL64



BL68

Complete air processing units pre-assembled, ready to install

Boxed sets include: filter/regulator and micro-fog lubricator complete with exhausting shut-off valve, pressure gauge and mounting brackets

Filter-regulator and micro-fog lubricator combinations

Filter and micro-fog lubricator combinations

TECHNICAL DATA

Medium:

Compressed air only

Maximum inlet pressure:

17 bar

Ambient temperature:

-20°C ... +80°C

Consult our Technical Service for use below +2°C

Pressure range:

BL64: 0,3...10 bar

BL68: 0,4...8 bar

Gauge ports:

Rc 1/8

Element:

40 µm

Operation:

Relieving

ALTERNATIVE MODELS

Manual drains and oil-fog lubricators also available.

Contact our Technical Service. For combinations not listed quote individual part numbers for basic units and yokes, see Olympian Accessories.

MATERIALS

BL64 & FL64

Body and yoke: zinc alloy

Bowl: aluminium

Element: sintered plastic

Elastomers: synthetic rubber

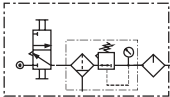






BL68 & FL68

Body & bowl: aluminium

Filter element: sintered bronze or plastic

Elastomers: synthetic rubber

BOXED SETS

Port size	kg	MODELS		ACCESSORIES		
		Auto drain	Manual drain	Tamper resistant kit	Quick fill nipple	Silencer (shut-off valve)
 G1/2	4,15	 BL64-401	 BL64-421	 4355-51	 18-011-024	 T40B1800
		 G1	5,99	 BL68-801	 BL68-821	 4355-51

For service kit numbers refer to individual units.

For further information







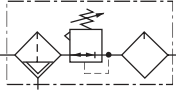
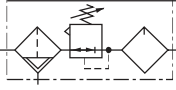
www.norgren.com/info/en6-059

OLYMPIAN PLUS PLUG-IN SYSTEM





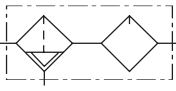
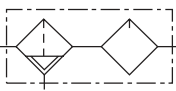
Boxed sets and combination units - Filter/regulators and lubricators

BL64, BL68, FL64 - G1/4, G1/2

FILTER/REGULATOR & LUBRICATOR COMBINATIONS - (without shut off valve, gauge and bracket)

Port size	kg	MODELS		ACCESSORIES			
		Auto drain	Manual drain	Tamper resistant kit	Quick fill nipple	Silencer (shut-off valve)	
				  			
	G1/4	3,19	BL64-208	BL64-228	4355-51	18-011-024	T40B1800
	G3/8	3,19	BL64-308	BL64-328	4355-51	18-011-024	T40B1800
	G1/2	2,73	BL64-408	BL64-428	4355-51	18-011-024	T40B1800
	G3/4	3,56	BL64-608	BL64-628	4355-51	18-011-024	T40B1800
	G3/4	4,94	BL68-608	BL68-628	4355-51	18-011-021	T40B2800
	G1	5,26	BL68-808	BL68-828	4355-51	18-011-021	T40B2800
	G1 1/4	6,50	BL68-A08	BL68-A28	4355-51	18-011-021	T40B2800
	G1 1/2	6,05	BL68-B08	BL68-B28	4355-51	18-011-021	T40B2800

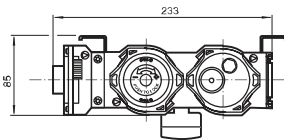
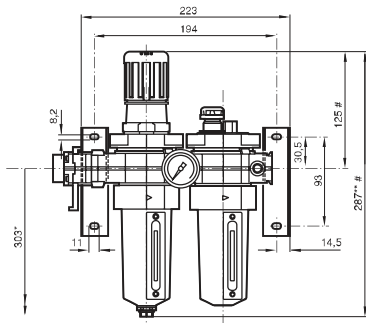
FILTER & LUBRICATOR COMBINATIONS - (without bracket)

Port size	kg	MODELS		ACCESSORIES			
		Auto drain	Manual drain	Tamper resistant kit	Quick fill nipple	Silencer (shut-off valve)	
				  			
	G1/4	2,50	FL64-208	FL64-228	4355-51	18-011-024	T40B1800
	G3/8	2,52	FL64-308	FL64-328	4355-51	18-011-024	T40B1800
	G1/2	2,43	FL64-408	FL64-428	4355-51	18-011-024	T40B1800
	G3/4	2,91	FL64-608	FL64-628	4355-51	18-011-024	T40B1800
	G3/4	3,90	FL68-608	FL68-628	4355-51	18-011-021	T40B2800
	G1	3,90	FL68-808	FL68-828	4355-51	18-011-021	T40B2800
	G1 1/4	4,05	FL68-A08	FL68-A28	4355-51	18-011-021	T40B2800
	G1 1/2	4,05	FL68-B08	FL68-B28	4355-51	18-011-021	T40B2800

DIMENSIONS

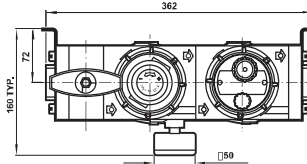
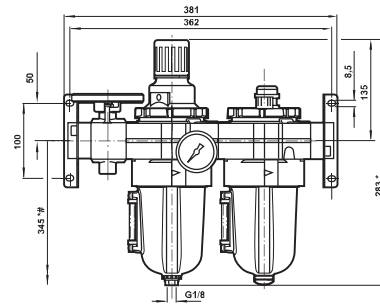
Boxed sets

BL64-401



* Minimum clearance required to remove bowl
 ** Automatic
 # Reduces by 4 mm with knob in locked position
 Weight: 3,58 kgm

BL68-801

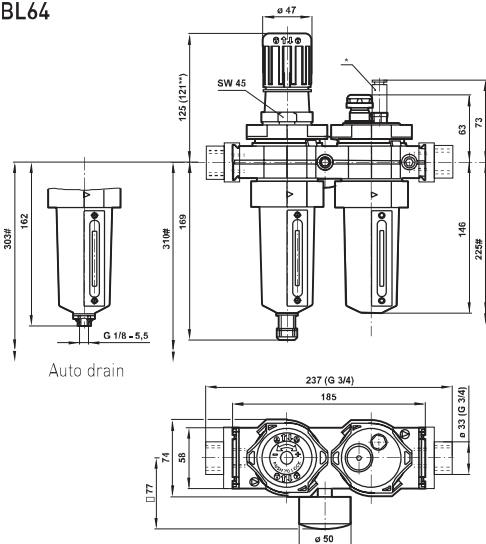


* Minimum clearance required to remove bowl
 # Reduces by 4 mm with knob in locked position
 Weight: 6,69 kg

See also our Olympian Plus duplex system specifically designed for use in process plant and on main machinery installations and other equipment in continuous use where not even the shortest interruption of services is permissible.

Filter/regulator & lubricator combinations

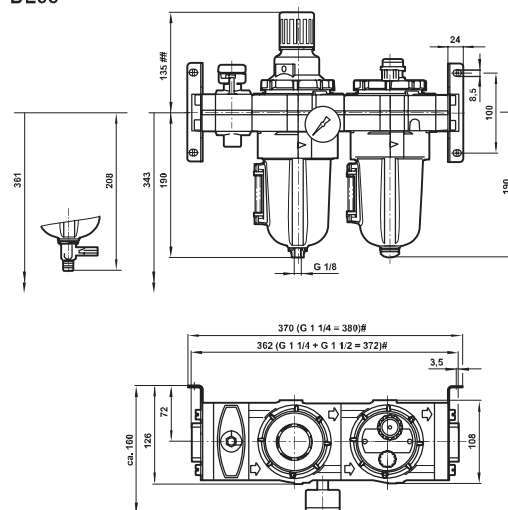
BL64



Auto drain

* Optional quick fill connector
 ** Knob in locked position
 # Minimum clearance required to remove bowl.

BL68



* Manual drain
 # Minimum clearance required to remove bowl.

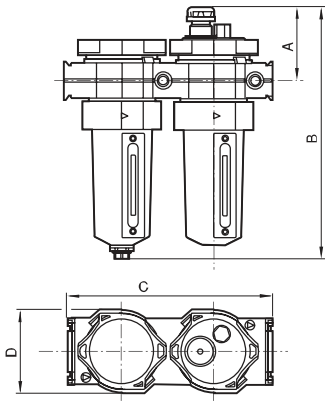
OLYMPIAN PLUS PLUG-IN SYSTEM

Boxed sets and combination units - Filter/regulators and lubricators

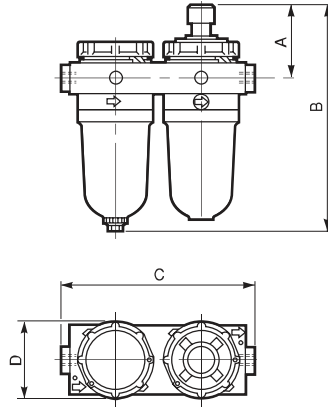
BL64, BL68, FL64 - G1/4, G1/2

Filter/lubricator combinations

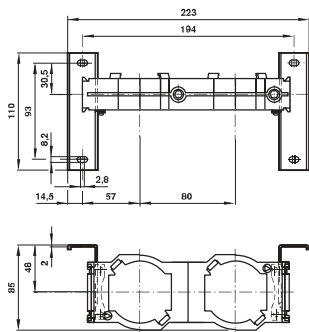
FL64



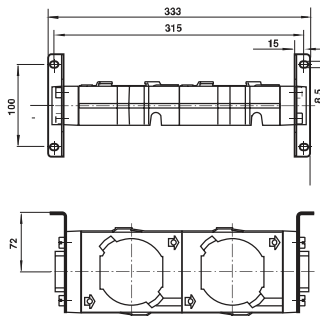
FL68



BL64 & FL64 Bracket mounting



BL68 & FL68 Bracket mounting



Series	Port size	A	B	C	D	kg
FL64	G1/4, G3/8, G1/2	63	227	233	74	2,99
	G3/4	63	227	262	74	2,99
FL68	G3/4, G1	75	263	315	112	4,6
	G1 1/4, G1 1/2	75	263	325	112	4,6